

HID EntryProx™ Stand-Alone Reader

EntryProx provides single-door proximity access control for up to 2000 users. It is ideal for small installations or remote locations when used in conjunction with an on-line system.

When users are prepared to upgrade to a full-function on-line system, EntryProx can easily be switched to Wiegand output mode and connected to any OEM controller.

Compatible with all 26-bit HID proximity cards or keytags, EntryProx can also enroll most OEM or Corporate 1000 format cards and keytags up to 37-bits. A built-in keypad allows programming and PIN entry.

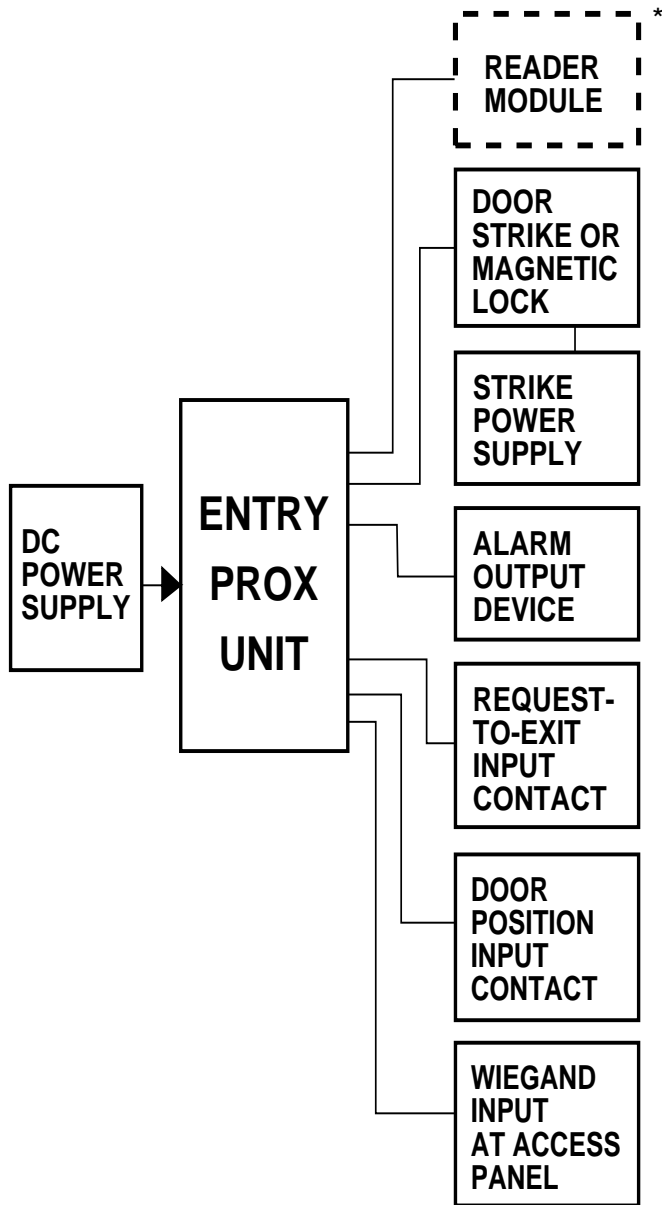
EntryProx features a unique option to detach the antenna module. The antenna module can be million mounted up to 10 feet away from the control unit located inside the secured area. The unit is rugged, attractive and can be installed outdoors.

Benefits

- Stores up to 2000 users and 1000 time-stamped transactions.
- Provides a 12-position keypad for PIN entry or programming.
- Offers optional use of a card, PIN code, or card plus PIN code.
- Prints transactions via IR Link to optional palmtop printer.
- Transaction information includes time, date, user number and ID.
- Indicates "door ajar" and "forced door" conditions with strike and alarm output relays.
- Wiegand output mode for use with an access control panel.
- Designed for indoor or outdoor use, can be glass mounted.



HID EntryProx™ Stand-Alone Reader



* Reader Module can optionally be remotely located up to ten feet from the Entry Proximity unit.

www.hidcorp.com

Specifications:

Typical maximum* read range:

ProxCard® II card	up to 3.0" (7.5 cm)
ISOProx® II card	up to 2.5" (6.25 cm)
ProxKey™ II keyfob	up to 1.5" (3.7 cm)
ProxCard® Plus card	up to 1.0" (2.5 cm)

* Depending on local installation conditions.

Dimensions

5.25" x 2.75" x 1.375"
(13.33 x 6.98 x 3.49 cm)

Power Supply/ Current Requirements

10 - 15 VDC, reverse voltage protected
Linear supply recommended
150 mA @ 12 VDC

Relay Outputs

Strike Relay - Form C, switches up to 4A @ 30 VDC
Aux Relay - Form C, switches up to 1A @ 30 VDC

Monitor Inputs

Door Position - N.O. dry contact
Request to Exit - N.O. dry contact

Sounder

4000Hz, defeatable

LEDs

Bi-Color (Red/Green)
Amber
Infrared (use with optional palmtop printer)

Operating Temperature

-22° to 150°F (-30° to 65°C)

Operating Humidity

5% to 95% relative humidity non-condensing

Cable Distance

Remote Reader Module - 10 feet (3m)
Wiegand Interface - 500 feet (152m)
Recommended cable is ALPHA 1295C (22AWG) 5-conductor stranded with overall shield or equivalent

Operation

Strike Time: 1 - 99 seconds
Strike Mode: Access Timer or Toggle/Latch
Door Ajar Time: 10 - 990 Seconds

Card Programming

OEM — Present card to enroll
26-bit - define range, key-in or present first card

Facility Code Processing Options (26-bit only)

Check Facility Code and Card ID
Check Facility Code only (accept any ID#)

Part Numbers

Base Part Number
4045A



HID CORPORATION

9292 Jeronimo Road
Irvine, CA 92618-1905 U.S.A.
(949) 598-1600 (800) 237-7769
FAX (949) 598-1690